

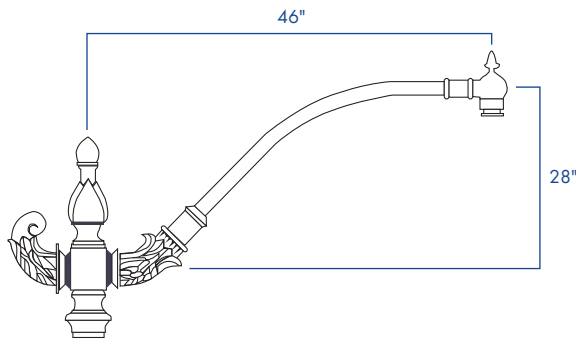
PY PENDANT MOUNT ARM

DESCRIPTION

Decorative cast aluminum pendant mount. This versatile decorative arm is ideal for traditional fixtures. The AVPL PY-PM arm works for any commercial, municipality, or design build lighting application.

FEATURES

- Decorative cast and extruded aluminum construction.
- Stainless steel hardware.
- TGIC thermoset polyester powder coat finish is electrostatically applied at a 3.0 mil nominal thickness. A five stage metal pre-treatment process and sealer provide maximum corrosion resistance. The powder top coat is baked in excess of 400 degrees for supreme endurance.



SUITABLE FOR
WET
LOCATIONS

ORDERING INFORMATION

AVPL - _____ - _____ - _____

ARM	MOUNTING	FINISH
PY-PM	1-90..... ○	DARK BRONZE
	2-180..... ○○	BLACK
		WHITE
		GREY
		GREEN

CONTACT
FACTORY FOR
DRILLING OPTIONS

ALL RAL COLORS
AVAILABLE